

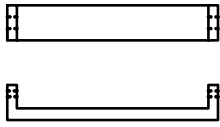
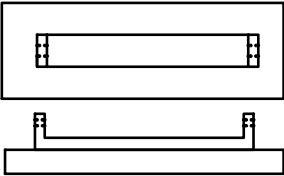
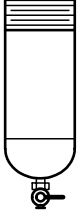
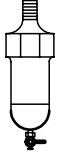
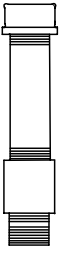
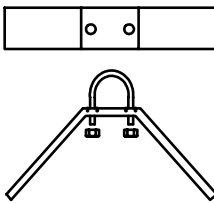
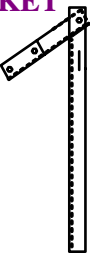
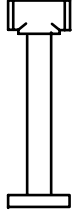
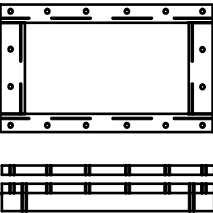
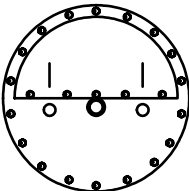
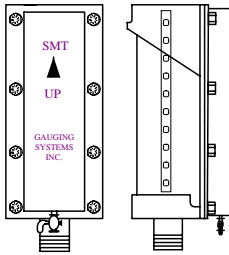
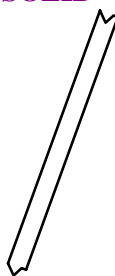
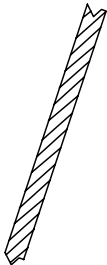
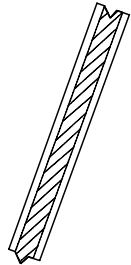
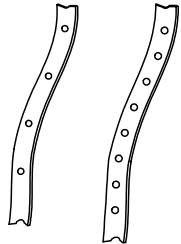
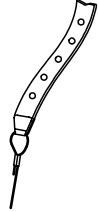


**TANK GAUGE  
ACCESSORIES,  
GAUGE PARTS  
AND PART NUMBERS**

**TABLE OF CONTENTS**

<b>TANK GAUGE PARTS AND ACCESSORIES (P&amp;A-1).....</b>	<b>1</b>
<b>PART NUMBERS FOR P&amp;A-1 .....</b>	<b>2</b>
<b>TANK GAUGE PARTS AND ACCESSORIES (P&amp;A-2).....</b>	<b>5</b>
<b>PART NUMBERS FOR P&amp;A-2 .....</b>	<b>6</b>
<b>TANK GAUGE PARTS AND ACCESSORIES (P&amp;A-3).....</b>	<b>8</b>
<b>PART NUMBERS FOR P&amp;A-3 .....</b>	<b>9</b>
<b>MECHANICAL GAUGE PARTS (GP-1).....</b>	<b>11</b>
<b>PART NUMBERS FOR GP-1 .....</b>	<b>12</b>

**TANK GAUGE PARTS AND ACCESSORIES (P&A-1)**

<b>TANK GAUGE PARTS AND ACCESSORIES (P&amp;A-1)</b>			
<p><b>BOTTOM ANCHOR</b></p>  <p><b>A1</b></p>	<p><b>WEIGHTED BOTTOM ANCHOR</b></p>  <p><b>B1</b></p>	<p><b>CONDENSATION BOTTLE, GAUGE BODY</b></p>  <p><b>C1</b></p>	<p><b>CONDENSATION BOTTLE, COUNTER COVER</b></p>  <p><b>D1</b></p>
<p><b>TOP ANCHOR</b></p>  <p><b>E1</b></p>	<p><b>PIPE SUPPORT BRACKET</b></p>  <p><b>F1</b></p>	<p><b>TOP MOUNTING BRACKET</b></p>  <p><b>G1</b></p>	<p><b>PIPE SUPPORT TEE</b></p>  <p><b>H1</b></p>
<p><b>INSPECTION HATCH</b></p>  <p><b>I1</b></p>	<p><b>API COVER, 20" OR 24"</b></p>  <p><b>J1</b></p>	<p><b>SCALE &amp; MOISTURE TRAP</b></p>  <p><b>K1</b></p>	<p><b>GUIDE WIRE, 1/8" SOLID</b></p>  <p><b>L1</b></p>
<p><b>GUIDE WIRE, STRANDED</b></p>  <p><b>M1</b></p>	<p><b>CABLE, VINYL OR NYLON COATED</b></p>  <p><b>N1</b></p>	<p><b>MEASURING TAPES, 1" &amp; 2" PUNCH</b></p>  <p><b>O1</b></p>	<p><b>MEASURING TAPES, TAPE/CABLE COMBO</b></p>  <p><b>P1</b></p>

**Gauging Systems Inc. (GSI)**  
**Innovation in Liquid Level / Mass Tank Gauging**

**PART NUMBERS FOR P&A-1**

**CARBON STEEL BOTTOM ANCHORS: WELDED or WEIGHTED**

<b>GSI PART No.</b>	<b>Cross Ref. No.</b>	<b>DESC</b>
<b>A1</b> GA-AB04-13	JA3540-3	13" Diameter Weld Type
<b>A1</b> GA-AB04-17	AA-1025	17" Diameter Weld Type
<b>B1</b> GA-ABW1-13		13" Dia., Weighted @ 52LBS
<b>B1</b> GA-ABW1-17	BA4481	17" Dia., Weighted @ 52LBS

**STAINLESS STEEL BOTTOM ANCHORS: WELDED or WEIGHTED**

<b>GSI PART No.</b>	<b>Cross Ref. No.</b>	<b>DESC</b>
<b>A1</b> GA-AB05-13		13" Diameter, 2 Guides, 304 S/S Weld Type
<b>A1</b> GA-AB05-17		17" Diameter, 2 Guides, 304 S/S Weld Type
<b>A1</b> GA-AB08-13-316		13" Diameter, 2 Guides, 316 S/S Weld Type
<b>A1</b> GA-AB08-17-316	05-08208	17" Diameter, 2 Guides, 316 S/S Weld Type
<b>B1</b> GA-ABW2-13		13" Diameter, 2 Guides, 304 SS WEIGHTED 50 lbs.
<b>B1</b> GA-ABW2-17		17" Diameter, 2 Guides, 304 SS WEIGHTED 50 lbs.
<b>B1</b> GA-ABW3-13-316		13" Diameter, 2 Guides, 316 SS WEIGHTED 50 lbs.
<b>B1</b> GA-ABW3-17-316		17" Diameter, 2 Guides, 316 SS WEIGHTED 50 lbs.

**CONDENSATION BOTTLES**

<b>GSI PART No.</b>	<b>Cross Ref. No.</b>	<b>DESC</b>
<b>C1</b> GA-CB-B2570	DA4051	Condensation Bottle, Gauge Body, Carbon Steel, Brass Petcock
<b>D1</b> GA-CB-C2570		Condensation Bottle, Counter Cover, Carbon Steel, Brass Petcock
<b>C1</b> GA-CB-B92020		Condensation Bottle, Gauge Body GPE, Carbon Steel, Brass Petcock, Fits 92020, 92021 & 92006 Gauges

**TOP ANCHORS**

<b>GSI PART No.</b>	<b>Cross Ref. No.</b>	<b>DESC</b>
<b>E1</b> GA-AT01	BM5200	Top Anchors (GALV.)
<b>E1</b> GA-AT02		Top Anchors 304 Stainless Steel
<b>E1</b> GA-AT03	BM5088	Top Anchors 316 Stainless Steel

**PIPE SUPPORT BRACKETS**

<b>GSI PART No.</b>	<b>Cross Ref. No.</b>	<b>DESC</b>
<b>F1</b> GA-BR01	BM3499	Side Mounting Bracket W/ U-Bolt, Carbon Steel
<b>G1</b> GA-BR02	BM717	Top Mounting Bracket, for External Floating Roof, Carbon Steel
<b>H1</b> GA-BR03		Top Mounting Bracket, for Digester Roof Cover, Carbon Steel / Galv.

**Gauging Systems Inc. (GSI)**  
**Innovation in Liquid Level / Mass Tank Gauging**

**API HATCH / INSPECTION HATCH**

<b>GSI PART No.</b>	<b>Cross Ref. No.</b>	<b>DESC</b>
I1 GA-H001	BM6746	Inspection Cover & Body, Carbon Steel, Welded
I1 GA-H002		Inspection Cover & Body, Carbon Steel, Bolted
J1 GA-H003	BM3607	Manhole Cover, API 24" Diameter, Bolted, Carbon Steel
J1 GA-H004	BM3443	Manhole Cover, API 20" Diameter, Bolted, Carbon Steel

GASKETS & BOLTS SUPPLIED WITH ALL HATCHES

**SCALE & MOISTURE TRAP**

<b>GSI PART No.</b>	<b>Cross Ref. No.</b>	<b>DESC</b>
K1 GSI-SMT		Scale & Moisture Trap, Complete Unit

**GUIDE WIRE / GUIDE CABLE / CABLE**

<b>GSI PART No.</b>	<b>Cross Ref. No.</b>	<b>DESC</b>
L1 GA-GW-1/8		Guide Wire 1/8" Diameter, 316 Stainless Steel
M1 GA-GW-C-1/16		Cable, 1/16" 7 ON 7 Stranded, 316 S/S
M1 GA-GW-C-1/8		Guide Wire Cable, 1/8" 7 ON 7 Stranded, 304 S/S
M1 GA-C-MONEL-1/16		Cable, 1/16" 7 ON 7 Stranded, Monel
M1 GA-C-MONEL-1/8		Cable, 1/8" 7 ON 7 Stranded, Monel
N1 GA-GW-C-NYLON		Cable, Nylon Coated 1/8" 7 ON 7 Stranded, 304 S/S
N1 GA-GW-C-POLY		Cable, Vinyl Coated 1/8" 7 ON 7 Stranded, 304 S/S

**MEASURING TAPE**

**1" & 2" PUNCH: TUFF TAPE**

<b>GSI PART No.</b>	<b>Cross Ref. No.</b>	<b>DESC</b>
O1 TAPE-T-1		Tape, Tuff 1" Perforation 316 S/S
O1 TAPE-T-2		Tape, Tuff 2" Perforation 316 S/S

**METRIC: TUFF TAPE**

<b>GSI PART No.</b>	<b>Cross Ref. No.</b>	<b>DESC</b>
O1 TAPE-T-M		Tape, Tuff Metric Perforation 316 S/S

**1" & 2" PUNCH: MONEL TAPE**

<b>GSI PART No.</b>	<b>Cross Ref. No.</b>	<b>DESC</b>
O1 TAPE-M-1		Tape, Monel 1" Perforation
O1 TAPE-M-2		Tape, Monel 2" Perforation
O1 TAPE-M-M		Tape, Monel Metric Perforation

**1" & 2" PUNCH: REGULAR TAPE**

<b>GSI PART No.</b>	<b>Cross Ref. No.</b>	<b>DESC</b>
O1 TAPE-R-1		Tape, Regular 1" Perforation 316 S/S

**Gauging Systems Inc. (GSI)**  
**Innovation in Liquid Level / Mass Tank Gauging**

**O1** TAPE-R-2

Tape, Regular 2" Perforation 316 S/S

**MEASURING TAPE: TAPE / CABLE COMBO**

**1" & 2" PUNCH: TUFF TAPE/CABLE**

<b>GSI PART No.</b>	<b>Cross Ref. No.</b>	<b>DESC</b>
<b>P1</b> TAPE-C-1		Tape/Cable Combination, 1" Perforation 316 S/S
<b>P1</b> TAPE-C-2		Tape/Cable Combination, 2" Perforation 316 S/S Other Combinations Available, Consult GSI

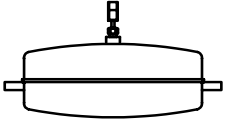
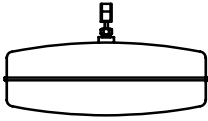
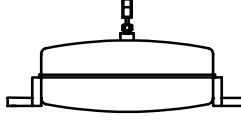
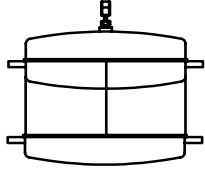
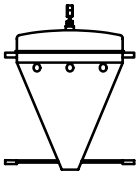
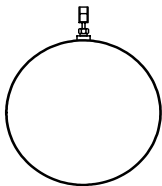
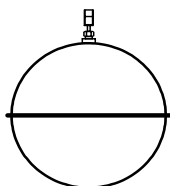
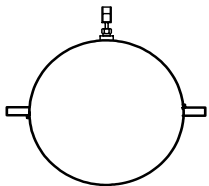
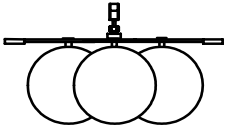
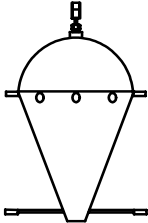
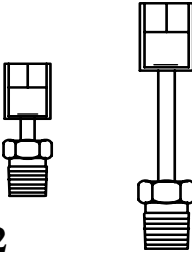
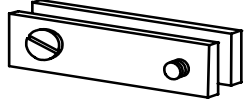
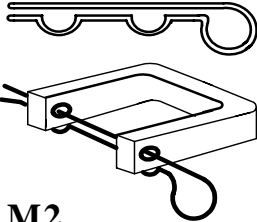
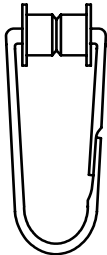
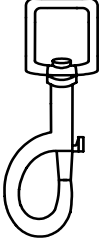
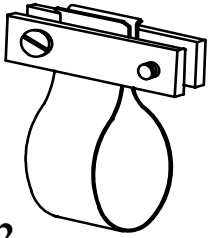
**METRIC PUNCH: TUFF TAPE/CABLE**

<b>GSI PART No.</b>	<b>Cross Ref. No.</b>	<b>DESC</b>
<b>P1</b> TAPE-C-M		Tape/Cable Combination, Metric Perforation 316 S/S

**1" & 2" PUNCH: REGULAR TAPE/CABLE**

<b>GSI PART No.</b>	<b>Cross Ref. No.</b>	<b>DESC</b>
<b>P1</b> TAPE-CR-1		Tape/Cable Combination, Regular Tape, 1" Perforation 316 S/S
<b>P1</b> TAPE-CR-2		Tape/Cable Combination, Regular Tape, 2" Perforation 316 S/S Other Combinations Available, Consult GSI

**TANK GAUGE PARTS AND ACCESSORIES (P&A-2)**

<b>TANK GAUGE PARTS AND ACCESSORIES (P&amp;A-2)</b>			
<p><b>HOLLOW SHELL FLOAT, GUIDED</b></p>  <p><b>A2</b></p>	<p><b>HOLLOW SHELL FLOAT, UNGUIDED</b></p>  <p><b>B2</b></p>	<p><b>HOLLOW SHELL INVERTED GUIDE CLIP</b></p>  <p><b>C2</b></p>	<p><b>HOLLOW SHELL PAN DAMPENER FLOAT</b></p>  <p><b>D2</b></p>
<p><b>HOLLOW SHELL CONE DAMPENER FLOAT</b></p>  <p><b>E2</b></p>	<p><b>SINGLE BALL FLOAT</b></p>  <p><b>F2</b></p>	<p><b>BALL FLOAT WITH WEAR RING</b></p>  <p><b>G2</b></p>	<p><b>BALL FLOAT, GUIDED</b></p>  <p><b>H2</b></p>
<p><b>TRI-BALL FLOAT</b></p>  <p><b>I2</b></p>	<p><b>BALL DAMPENER FLOAT</b></p>  <p><b>J2</b></p>	<p><b>SWIVEL, SHORT OR LONG</b></p>  <p><b>K2</b></p>	<p><b>TAPE/CABLE CLAMP</b></p>  <p><b>L2</b></p>
<p><b>FLOAT GUIDE CLIP</b></p>  <p><b>M2</b></p>	<p><b>SNAP FASTENER CONNECTOR</b></p>  <p><b>N2</b></p>	<p><b>BOLT SNAP CONNECTOR S/S</b></p>  <p><b>O2</b></p>	<p><b>TAPE THIMBLE</b></p>  <p><b>P2</b></p>

## PART NUMBERS FOR P&A-2

### HOLLOW SHELL FLOATS, 316 S/S WITH MOUNTING HARDWARE

#### 13" OR 17" GUIDED

GSI PART No.	Cross Ref. No.	DESC
A2 GSI-FL-13-HS-G	JB3110-7	13" Guided, Hollow Shell
A2 GSI-FL-17-HS-G		17" Guided, Hollow Shell

#### 13" OR 17" UNGUIDED

GSI PART No.	Cross Ref. No.	DESC
B2 GSI-FL-13-HS-U		13" Hollow Shell Unguided
B2 GSI-FL-17-HS-U		17" Hollow Shell Unguided

#### 13" OR 17" INVERTED GUIDE CLIPS

GSI PART No.	Cross Ref. No.	DESC
C2 GSI-FL-13-HS-IC		13" Hollow Shell with Inverted Guides
C2 GSI-FL-17-HS-IC		17" Hollow Shell with Inverted Guides

#### 13" OR 17" PAN DAMPENER

GSI PART No.	Cross Ref. No.	DESC
D2 GSI-FL-13-HS-PD		13" Guided, Hollow Shell with Pan Dampener
D2 GSI-FL-17-HS-PD		17" Guided, Hollow Shell with Pan Dampener

#### 13" OR 17" CONE DAMPENER

GSI PART No.	Cross Ref. No.	DESC
E2 GSI-FL-13-CD-G		13" Guided, Hollow Shell with Cone Dampener
E2 GSI-FL-17-CD-G		17" Guided, Hollow Shell with Cone Dampener
E2 GSI-FL-13-HSCDU		13" Unguided, Hollow Shell with Cone Dampener
E2 GSI-FL-17-HSCDU		17" Unguided, Hollow Shell with Cone Dampener

### BALL FLOATS, WITH MOUNTING HARDWARE

#### SINGLE BALL FLOATS

GSI PART No.	Cross Ref. No.	DESC
F2 GSI-FL-8-B-304		8" Ball, 304 S/S
F2 GSI-FL-8-B-316		8" Ball, 316 S/S
F2 GSI-FL-10-B-304		10" Ball, 304 S/S
F2 GSI-FL-10-B-316		10" Ball, 316 S/S
F2 GSI-FL-13-B-304		12" Ball, 304 S/S
F2 GSI-FL-17-B-316		12" Ball, 316 S/S

**Gauging Systems Inc. (GSI)**  
**Innovation in Liquid Level / Mass Tank Gauging**

**BALL FLOATS, with WEAR RING**

<b>GSI PART No.</b>	<b>Cross Ref. No.</b>	<b>DESC</b>
<b>G2</b> GSI-FL-6BWR304		6" Ball, W/ Wear Ring, 304 S/S
<b>G2</b> GSI-FL-6BWR316	BZ17782-006	6" Ball, W/ Wear Ring, 316 S/S
<b>G2</b> GSI-FL-8BWR304		8" Ball, W/ Wear Ring, 304 S/S
<b>G2</b> GSI-FL-8BWR316	BZ17777-006	8" Ball, W/ Wear Ring, 316 S/S
<b>G2</b> GSI-FL-10BWR304		10" Ball, W/ Wear Ring, 304 S/S
<b>G2</b> GSI-FL-10BWR316	BZ17783-006	10" Ball, W/ Wear Ring, 316 S/S
<b>G2</b> GSI-FL-12-B-U		12" Ball, W/ Wear Ring, 304 S/S
<b>G2</b> GSI-FL-12BU-316	BZ17985-006	12" Ball, W/ Wear Ring, 316 S/S

**SINGLE BALL FLOATS: GUIDED**

<b>GSI PART No.</b>	<b>Cross Ref. No.</b>	<b>DESC</b>
<b>H2</b> GSI-FL-13-B-G		12" Ball, with 13" Guides, 304 S/S
<b>H2</b> GSI-FL-13-BG316		12" Ball, with 13" Guides, 316 S/S
<b>H2</b> GSI-FL-17-B-G		12" Ball, with 17" Guides, 304 S/S
<b>H2</b> GSI-FL-17-BG316		12" Ball, with 17" Guides, 316 S/S

**TRI-BALL FLOATS: GUIDED**

<b>GSI PART No.</b>	<b>Cross Ref. No.</b>	<b>DESC</b>
<b>I2</b> GSI-FL-17-3B-G		Float, 8" Dia. Tri-Ball, W/ 17" Guides, 304 S/S
<b>I2</b> GSI-FL-173B316G	BM12411	Float, 8" Dia. Tri-Ball, W/ 17" Guides, 316 S/S

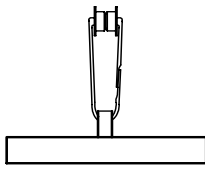
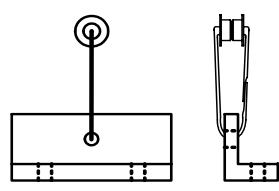
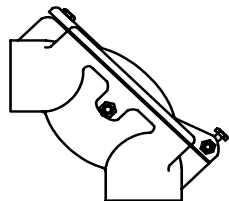
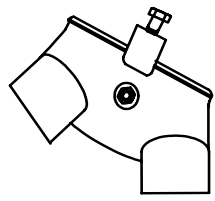
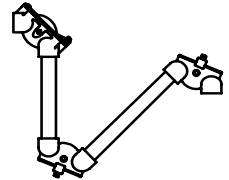
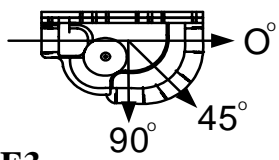
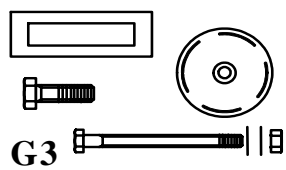
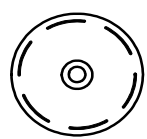
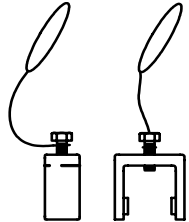

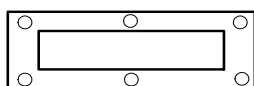
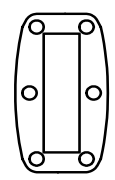
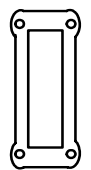
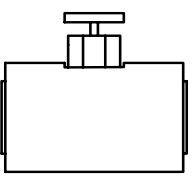
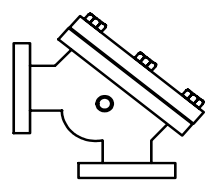
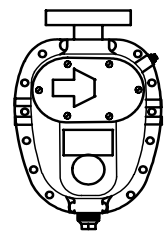
**BALL FLOATS, CONE DAMPENERS with GUIDES**

<b>GSI PART No.</b>	<b>Cross Ref. No.</b>	<b>DESC</b>
<b>J2</b> GSI-FL-13-B-CD		12" Ball Cone Dampener 13" Guides, 304 S/S
<b>J2</b> GSI-FL-13BCD316		12" Ball Cone Dampener 13" Guides, 316 S/S
<b>J2</b> GSI-FL-17-B-CD		12" Ball Cone Dampener 17" Guides, 304 S/S
<b>J2</b> GSI-FL-17BCD316		12" Ball Cone Dampener 17" Guides, 316 S/S

**FLOAT HARDWARE, TAPE or CABLE ATTACHMENT**

<b>GSI PART No.</b>	<b>Cross Ref. No.</b>	<b>DESC</b>
<b>K2</b> GA-FL-SWVL-S		Swivel, Float (SHORT) 316 S/S
<b>K2</b> GA-FL-SWVL-L		Swivel, Float (LONG) 316 S/S
<b>L2</b> GA-T-CLAMP	BM9157	Clamp, Tape (2 PIECES) with Screws, 316 S/S
<b>L2</b> GA-T/CLAMP-MON		Clamp, Tape (2 PIECES, MONEL) with Screws
<b>M2</b> GA-FL-CLIP		Clips, Float Guide (HAIR PIN TYPE) 316 S/S
<b>N2</b> GA-FL-SNAP	BM5478-600	Connector, Snap Fastener, 316 S/S
<b>O2</b> GA-FL-BOLT		Swivel, Bolt Snap Connector 304 S/S
<b>P2</b> GA-T-THIMBLE	514-504	Tape Thimble, 316 S/S

**TANK GAUGE PARTS AND ACCESSORIES (P&A-3)**

<b>TANK GAUGE PARTS AND ACCESSORIES (P&amp;A-3)</b>			
<p style="text-align: center;"><b>ROOF WEIGHT</b></p>  <p style="text-align: center;"><b>A3</b></p>	<p style="text-align: center;"><b>DIGESTER CABLE ATTACHMENT BRACKET</b></p>  <p style="text-align: center;"><b>B3</b></p>	<p style="text-align: center;"><b>ELBOW 90 DEGREE</b></p>  <p style="text-align: center;"><b>C3</b></p>	<p style="text-align: center;"><b>ELBOW 135 DEGREE</b></p>  <p style="text-align: center;"><b>D3</b></p>
<p style="text-align: center;"><b>LIQUID SEAL</b></p>  <p style="text-align: center;"><b>E3</b></p>	<p style="text-align: center;"><b>ELBOW, UNIVERSAL</b></p>  <p style="text-align: center;"><b>F3</b></p>	<p style="text-align: center;"><b>ELBOW / LIQUID SEAL REPLACEMENT KITS</b></p>  <p style="text-align: center;"><b>G3</b></p>	<p style="text-align: center;"><b>ELBOW REPLACEMENT ROLLERS</b></p>  <p style="text-align: center;"><b>H3</b></p>
<p style="text-align: center;"><b>YOKE WITH LANYARD</b></p>  <p style="text-align: center;"><b>I3</b></p>	<p style="text-align: center;"><b>ELBOW/ LIQUID SEAL LID GASKETS</b></p>  <p style="text-align: center;"><b>J3</b></p>	<p style="text-align: center;"><b>ELBOW LID GASKET 6 SCREWS</b></p>  <p style="text-align: center;"><b>K3</b></p>	<p style="text-align: center;"><b>ELBOW LID GASKET, GPE 6 BOLT</b></p>  <p style="text-align: center;"><b>L3</b></p>
<p style="text-align: center;"><b>ELBOW LID GASKET, GPE 4 BOLT</b></p>  <p style="text-align: center;"><b>M3</b></p>	<p style="text-align: center;"><b>BLOCK VALVE</b></p>  <p style="text-align: center;"><b>N3</b></p>	<p style="text-align: center;"><b>ELBOWS, HIGH PRESSURE</b></p>  <p style="text-align: center;"><b>O3</b></p>	<p style="text-align: center;"><b>HIGH PRESSURE GAUGE</b></p>  <p style="text-align: center;"><b>P3</b></p>

**Gauging Systems Inc. (GSI)**  
**Innovation in Liquid Level / Mass Tank Gauging**

**PART NUMBERS FOR P&A-3**

**FLOATING ROOF: TAPE or CABLE ATTACHMENT**

<b>GSI PART No.</b>	<b>Cross Ref. No.</b>	<b>DESC</b>
<b>A3</b> GA-RW001		Roof Weight, Includes Tape Clamp, 304 S/S
<b>B3</b> GA-BR-DG-1		Digester Cable Attachment Bracket

**ELBOWS & LIQUID SEALS**

**ALUMINUM ELBOWS & LIQUID SEAL: UHMW ROLLERS**

<b>GSI PART No.</b>	<b>Cross Ref. No.</b>	<b>DESC</b>
<b>C3</b> GSI-SE90	06-08564	Sheave Elbow, ALUM. W/ UHMW Roller & Hinged Lid
<b>D3</b> GSI-SE135	BM3480	Sheave Elbow, ALUM. 135 Degree, ALUM. W/ UHMW Roller
<b>E3</b> GSI-SE180/135		Liquid Seal, ALUM. W/ UHMW Rollers

**ALUMINUM ELBOWS & LIQUID SEALS: 304 S/S ROLLERS**

<b>GSI PART No.</b>	<b>Cross Ref. No.</b>	<b>DESC</b>
<b>C3</b> GSI-SE90-HTR-03	06-07726	Sheave Elbow, ALUM. W/ Hi-Temp 304 Roller
<b>D3</b> GSI-SE135HT		Sheave Elbow, ALUM. 135 Degree W/ 304 Rollers
<b>E3</b> GSI-SE180/135HT		Liquid Seal 180/135 W/ Hi Temp 304 Rollers

**ALUMINUM TAPE CARRIER & DRIVE ELBOW**

<b>GSI PART No.</b>	<b>Cross Ref. No.</b>	<b>DESC</b>
<b>F3</b> GSI-SE-UNIVERS	BM3621	Universal Elbow: Tape Carrier, Sheave Elbow, 45 Degree, ALUM. W/ UHMW Roller
<b>F3</b> GSI-SE-DRIVE	BM4129	Sheave Drive Elbow, ALUM, English/Fractional

**ELBOW OR LIQUID SEAL: PART REPLACEMENT KITS**

<b>GSI PART No.</b>	<b>Cross Ref. No.</b>	<b>DESC</b>
<b>G3</b> GA-SE-003		GSI Elbow Kit, UHMW Roller, Gasket, Nut & Bolt, Teflon Washers
<b>G3</b> GA-SE-001	BM4547	Sheave Roller Replacement Kit, VAREC YOKE STYLE
<b>G3</b> GA-SE-003		Sheave Roller Replacement Kit, VAREC 6 Screw (Die Cast)
<b>G3</b> GA-SE-002	90139	Sheave Roller Replacement Kit, for GPE
<b>G3</b> GA-SE-003-HT		Elbow Kit, 304 S/S Roller, Gasket, Nut & Bolt, Teflon Washers
<b>G3</b> GA-SE-004		Liquid Seal Kit, SE180, UHMW Roller, Gaskets, Nut & Bolt, Teflon Washers, Includes 3 of each item
<b>G3</b> GA-SE-005		Liquid Seal Kit, SE180/135, UHMW Rollers, Gaskets, Nut & Bolt, Teflon Washers Includes 3 of each item
<b>G3</b> GA-SE-004-HT		Liquid Seal Kit, SE180, 304 S/S Rollers, Gaskets, Nut & Bolt, Teflon Washers, Includes 3 of each item
<b>G3</b> GA-SE-005-HT		Liquid Seal Kit, SE180/135, 304 Rollers, Gaskets, Nuts & Bolts, Teflon Washers, Includes 3 of each item

**Gauging Systems Inc. (GSI)**  
**Innovation in Liquid Level / Mass Tank Gauging**

**ELBOW OR LIQUID SEAL: REPLACEMENT SHEAVE ROLLERS**

<b>GSI PART No.</b>	<b>Cross Ref. No.</b>	<b>DESC</b>
<b>H3</b> GA-SE RO		Sheave Roller, (UHMW) Replacement for GSI or Varec
<b>H3</b> GA-SE RO-02		Sheave Roller, (UHMW) for GPE
<b>H3</b> GA-SE HTR-03		Sheave Roller, 304 S/S W/ Brass Bushing
<b>H3</b> GA-SE RO-04		Sheave Roller, Aluminum W/ Brass Bushing

**YOKE AND LANYARD**

<b>GSI PART No.</b>	<b>Cross Ref. No.</b>	<b>DESC</b>
<b>I3</b> GA-SE-101		Yoke & Lanyard, 304 Stainless Steel
<b>I3</b> GA-SE-102	A370-012	Yoke & Lanyard, Carbon Steel, Stainless Lanyard

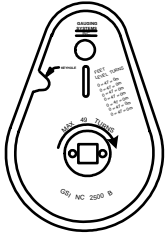
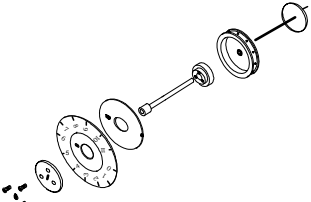
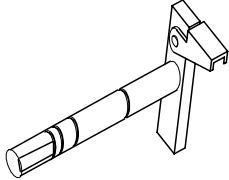
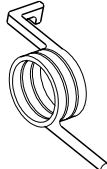

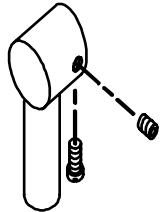


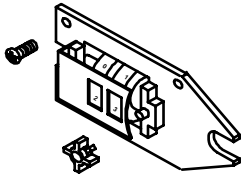
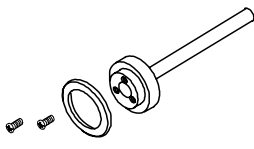
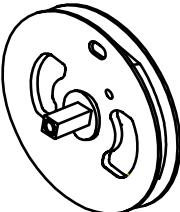
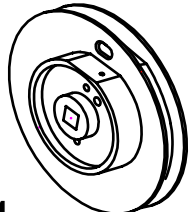
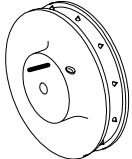
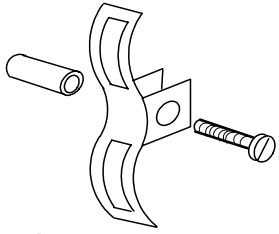
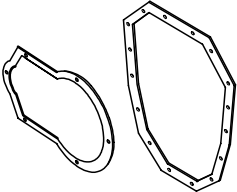
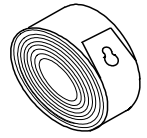
**ELBOW GASKETS**

<b>GSI PART No.</b>	<b>Cross Ref. No.</b>	<b>DESC</b>
<b>J3</b> GA-SE90-GSKT		Gasket, Elbow Lid (GSI-SE90)
<b>J3</b> A371-071	A371-071	Cover Lid Gasket, Yoke Style Elbow
<b>J3</b> 4C5-011	4C5-011	Cover Lid, Yoke Style Elbow
<b>K3</b> 02-08563	02-08563	Cover Gasket, 6 Screw Style
<b>K3</b> 02-08593	02-08593	Cover Lid, Die Cast Elbow, 6 Screw
<b>L3</b> GA-SE SJ6		Gasket, S&J Elbow W/ 6 Bolt Holes
<b>M3</b> GA-SE SJ4		Gasket, S&J Elbow W/ 4 Bolt Holes

**HIGH PRESSURE: BLOCK VALVE, ELBOW & GAUGE**

<b>GSI PART No.</b>	<b>Cross Ref. No.</b>	<b>DESC</b>
<b>N3</b> GSI-2776-V-3		2" 150# ANSI RAISED FACE, VITON O-RINGS, TEFLON PLUG
<b>N3</b> GSI-2777-V-3		2" 300# ANSI RAISED FACE, VITON O-RINGS, TEFLON PLUG
<b>N3</b> GSI-2778-V-3		1-1/2" 150# ANSI RAISED FACE, VITON O-RINGS, TEFLON PLUG
<b>N3</b> GSI-2779-V-3		1-1/2" 300# ANSI RAISED FACE, VITON O-RINGS, TEFLON PLUG
<b>O3</b> REBUILT BM3661	BM3661	REBUILT 90 DEGREE HI-PRESSURE ELBOW
<b>P3</b> REBUILT 2520		REBUILT 2520 GAUGE, 1-1/2" 150 # MOUNTING FLANGE
<b>P3</b> REBUILT 2530		REBUILT 2530 GAUGE, 1-1/2" 300 # MOUNTING FLANGE

**MECHANICAL GAUGE PARTS (GP-1)**

<b>GAUGE PARTS (GP-1)</b>			
<p style="text-align: center;"><b>NEGATOR CASSETTES / CASSETTE KITS</b></p>  <p style="text-align: center;"><b>A4</b></p>	<p style="text-align: center;"><b>DUAL CALIBRATION ASSEMBLY</b></p>  <p style="text-align: center;"><b>B4</b></p>	<p style="text-align: center;"><b>GAUGE CHECKER WITH HAIR SPRING</b></p>  <p style="text-align: center;"><b>C4</b></p>	<p style="text-align: center;"><b>GAUGE CHECKER SPRING</b></p>  <p style="text-align: center;"><b>D4</b></p>
<p style="text-align: center;"><b>REPLACEMENT HAIR SPRING, CHECKER ASSY.</b></p>  <p style="text-align: center;"><b>E4</b></p>	<p style="text-align: center;"><b>CHECKER HANDLE</b></p>  <p style="text-align: center;"><b>F4</b></p>	<p style="text-align: center;"><b>DIALS; ENGLISH, DECIMAL OR METRIC</b></p>  <p style="text-align: center;"><b>G4</b></p>	<p style="text-align: center;"><b>DIAL GEARS; ENGLISH OR METRIC</b></p>  <p style="text-align: center;"><b>H4</b></p>
<p style="text-align: center;"><b>COUNTER ASSEMBLIES</b></p>  <p style="text-align: center;"><b>I4</b></p>	<p style="text-align: center;"><b>SHAFT/HUB ASSEMBLY</b></p>  <p style="text-align: center;"><b>J4</b></p>	<p style="text-align: center;"><b>NEGATOR CASSETTE, TSSA</b></p>  <p style="text-align: center;"><b>K4</b></p>	<p style="text-align: center;"><b>PLAIN JANE, TSSA</b></p>  <p style="text-align: center;"><b>L4</b></p>
<p style="text-align: center;"><b>SPROCKETS, PLAIN JANE OR DCA</b></p>  <p style="text-align: center;"><b>M4</b></p>	<p style="text-align: center;"><b>TAPE KEEPER</b></p>  <p style="text-align: center;"><b>N4</b></p>	<p style="text-align: center;"><b>GASKETS</b></p>  <p style="text-align: center;"><b>O4</b></p>	<p style="text-align: center;"><b>NEGATOR MOTORS, HUBS &amp; FLANGES</b></p>  <p style="text-align: center;"><b>P4</b></p>

## **PART NUMBERS FOR GP-1**

### **NEGATOR CASSETTES**

#### **CASSETTE KITS for 2570 / 2500B / 92020 / 92021 / 92006**

<b>GSI PART No.</b>	<b>Cross Ref. No.</b>	<b>DESC</b>
A4	GSI-NC2500A KIT	Negator Cassette Kit for 2500A Gauge
A4	GSI-NC2500B KIT	Negator Cassette Kit for The GSI 2570 or 2500B Gauge
A4	GSI-NCK2570-EXH	Negator Cassette Kit for The GSI 2570 W/ Extra Heavy Tension Motor
A4	GSI-NC92020 KIT	Negator Cassette Kit for 92020 GPE Gauge
A4	GSI-NC92021 KIT	Negator Cassette Kit for 92021 GPE Gauge
A4	GSI-NC92006 KIT	Negator Cassette Kit for 92006 GPE Gauge

FIRST TIME INSTALLATION REQUIRES A NEGATOR CASSETTE KIT

#### **CASSETTES FOR 2570 / 2500B / 92020 / 92021 / 92006**

<b>GSI PART No.</b>	<b>Cross Ref. No.</b>	<b>DESC</b>
A4	GSI-NC2500B	Negator Cassette for 2570, 2500A, 2500B Gauges
A4	GSI-NC92020	Negator Cassette for 92020 or 92006 GPE Gauge
A4	GSI-NC92021	Negator Cassette Kit for 92021 GPE Gauge
A4	GSI-NC92020-EXH	Negator Cassette, Extra Heavy Tension Motor, 92020, 92021 & 92006
A4	GSI-NC2570-EXH	Negator Cassette, Extra Heavy Tension Motor For GSI 2570 or 2500B

THE GSI-NC2570-EXH FITS INTO THE 2500B DIE CAST, BUT NOT THE SAND CAST

### **DCA, DUAL CALIBRATION ASSEMBLIES**

<b>GSI PART No.</b>	<b>Cross Ref. No.</b>	<b>DESC</b>	
B4	GSI-DCA-I/F	13-08948	DCA, Fractional Innage
B4	GSI-DCA-O/F		DCA, Fractional Outage
B4	GSI-DCA-I/D		DCA, Decimal Innage
B4	GSI-DCA-O/D		DCA, Decimal Outage
B4	GSI-DCA-I/M		DCA, Metric Innage
B4	GSI-DCA-O/M		DCA, Metric Outage

### **CHECKER ASSEMBLY / SPARE PARTS & KIT**

<b>GSI PART No.</b>	<b>Cross Ref. No.</b>	<b>DESC</b>	
C4	G-2570-27	Checker Assembly W/ Hair Spring	
C4	G-2570-27 KIT	Checker Assembly Kit, Inc; Checker Handle, Checker Spring, Checker Assy, Snap Ring & Shims	
C4	G-2570-28	Checker "O"-Ring, Buna	
C4	P14-23	P14-23	Checker "O"-Ring, Teflon; 2500B
C4	G-2570-31	Checker Snap Ring	
C4	G-2570-32	Checker Shim	

**Gauging Systems Inc. (GSI)**  
**Innovation in Liquid Level / Mass Tank Gauging**

**GAUGE CHECKER SPRINGS**

<b>GSI PART No.</b>	<b>Cross Ref. No.</b>	<b>DESC</b>
<b>D4</b> G-2570-29	B7796-005	Checker Spring
<b>D4</b> B7795-005	B7795-005	Replacement Hair Pin Spring

**CHECKER HANDLE W/ FASTENERS**

<b>GSI PART No.</b>	<b>Cross Ref. No.</b>	<b>DESC</b>
<b>F4</b> G-2570-30	B7792-071	Checker Handle

**DIALS: ENGLISH, DECIMAL OR METRIC**

**DIALS: ENGLISH, DECIMAL, METRIC**

<b>GSI PART No.</b>	<b>Cross Ref. No.</b>	<b>DESC</b>
<b>G4</b> G-2570-36	B8218-001	Inch Dial, English Innage
<b>G4</b> G-2570-37	B9616-001	Inch Dial, English Outage
<b>G4</b> G-2570-38	B7987-001	Inch Dial, Decimal Innage
<b>G4</b> G-2570-39		Inch Dial, Decimal Outage
<b>G4</b> G-2570-40	B8325-001	Metric Dial, Metric Innage
<b>G4</b> G-2570-41		Metric Dial, Metric Outage

**DIALS GEARS: ENGLISH OR METRIC**

<b>GSI PART No.</b>	<b>Cross Ref. No.</b>	<b>DESC</b>
<b>H4</b> G-2570-13	B8235-005	Inch Dial Gear S/S
<b>H4</b> G-2570-13-M	B8327-005	Metric Dial Gear S/S

**INCH DIALS / METRIC DIALS, PINNED**

<b>GSI PART No.</b>	<b>Cross Ref. No.</b>	<b>DESC</b>
<b>G4</b> G-2570-36-PID		Inch Dial, English Innage, Includes Dial Gear, G-2570-13
<b>G4</b> G-2570-37-PID		Inch Dial, English Outage, Includes Dial Gear, G-2570-13
<b>G4</b> G-2570-38-PID		Inch Dial, Decimal Innage, Includes Dial Gear, G-2570-13
<b>G4</b> G-2570-39-PID		Inch Dial, Decimal Outage, Includes Dial Gear, G-2570-13
<b>G4</b> G-2570-40-PID		Metric Dial, Metric Innage, Includes Dial Gear, G-2570-13-M
<b>G4</b> G-2570-41-PID		Metric Dial, Metric Outage, Includes Dial Gear, G-2570-13-M

**COUNTER ASSEMBLY**

<b>GSI PART No.</b>	<b>Cross Ref. No.</b>	<b>DESC</b>
<b>I4</b> G-2570-54	BM18849-100	Counter Assy. Eng. Innage, Includes G-2570-14 & 34
<b>I4</b> G-2570-55	BM19954-100	Counter Assy. Eng. Outage, Includes G-2570-14 & 34
<b>I4</b> G-2570-56	BM18849-100	Counter Assy. Dec. Innage, Includes G-2570-14 & 34
<b>I4</b> G-2570-57	BM19954-100	Counter Assy. Dec. Outage, Includes G-2570-14 & 34
<b>I4</b> G-2570-58	BM18850-100	Counter Assy. Metric Innage, Includes G-2570-14 & 34
<b>I4</b> G-2570-59		Counter Assy. Metric. Outage, Includes G-2570-14 & 34

**Gauging Systems Inc. (GSI)**  
**Innovation in Liquid Level / Mass Tank Gauging**

**COUNTER ASSEMBLY REPLACEMENT PARTS**

<b>GSI PART No.</b>	<b>Cross Ref. No.</b>	<b>DESC</b>
I4 G-2570-14	P25-16	Pinion Gear, Delrin, Was No.P25-43
I4 G-2570-60	D6045-000	Foot Wheel Innage X 1
I4 G-2570-61	D6064-000	Foot Wheel Innage X 10
I4 G-2570-62	D6342-000	Foot Wheel Outage X 1
I4 G-2570-63	D6343-000	Foot Wheel Outage X 10

**SHAFT / HUB ASSEMBLY**

<b>GSI PART No.</b>	<b>Cross Ref. No.</b>	<b>DESC</b>
J4 G-2570-11	BA17597	Inch Dial Shaft; Shaft / Hub W/ Dial Retainer & Screws

**CASSETTE OR PLAIN JANE TSSA**

<b>GSI PART No.</b>	<b>Cross Ref. No.</b>	<b>DESC</b>
K4 G-2570-53		TSSA, Used W/ Negator Cassette (NC2500B)
L4 G-2570-52	BA7761	TSSA, Plane Jane: Used W/ Standard Negator Motor Assy.

**PLAIN JANE OR DCA SPROCKETS**

<b>GSI PART No.</b>	<b>Cross Ref. No.</b>	<b>DESC</b>
M4 G-2570-23	DA3197	Plain Jane Sprocket English/Decimal
M4 G-2570-23-M	DA3930	Plain Jane Sprocket Metric
M4 G-2570-71		DCA Sprocket, English/Decimal
M4 G-2570-71-M		DCA Sprocket, Metric

**TAPE KEEPER**

<b>GSI PART No.</b>	<b>Cross Ref. No.</b>	<b>DESC</b>
N4 G-2570-7		Tape Keeper W/ Post and Screw

**COUNTER COVER & BACK COVER GASKETS**

<b>GSI PART No.</b>	<b>Cross Ref. No.</b>	<b>DESC</b>
O4 G-2570-42	B7720-071	Counter Cover Gasket
P4 G-2570-1	B4396-071	Back Cover Gasket
P4 02-04490-071	02-04490-071	Back Cover Gasket, 2500B DIE CAST

**NEGATOR MOTORS / HUBS & FLANGES**

<b>GSI PART No.</b>	<b>Cross Ref. No.</b>	<b>DESC</b>
P4 G-2570-48		Negator Motor Hub, Aluminum W/ Brass Bushing (NO MOTOR)
P4 G-2570-48-P-Kit		Negator Motor Hub Assy., UHMW Hub, Includes Item 49 & 50 For Tanks Up To 66 FT.
P4 G-2570-49	P1-5	Negator Motor (Only) For Tank Up To 66 FT.
P4 G-2570-48-Kit		Negator Motor Assembly, Includes 48, 49, 51
P4 G-2570-49-EXH	P1-22	Negator Motor, Extra Heavy .012 Thick W/ Hub and Inner Flange For Tanks Up To 66 FT.

**Gauging Systems Inc. (GSI)**  
**Innovation in Liquid Level / Mass Tank Gauging**

<b>P4</b>	G-2570-49-EXL	P1-27	Negator Motor, Extra Long .010 Thick W/ Hub and Inner Flange For Tanks Up To 99 FT.
<b>P4</b>	G-2570-49-EXHL	P1-26	Negator Motor, Extra Long / Extra Heavy .012 Thick W/ Hub and Inner Flange For Tanks Up To 99 FT
<b>P4</b>	G-2570-50		Negator Motor Flange (Outer)
<b>P4</b>	G-2570-51		Negator Motor Flange (Inner)

Contact and Ordering Information:

**Gauging Systems Inc. (GSI)**  
**910 Industrial Blvd., Suite A**  
**Sugar Land, Texas 77478**  
**Phone: (281) 980-3999**  
**Toll free (U.S. & Canada) 800-444-1327**  
**[Http://www.gaugingsystemsinc.com](http://www.gaugingsystemsinc.com)**  
**E-mail: [gsihoutx@msn.com](mailto:gsihoutx@msn.com)**  
**Fax: (281) 980-6929**